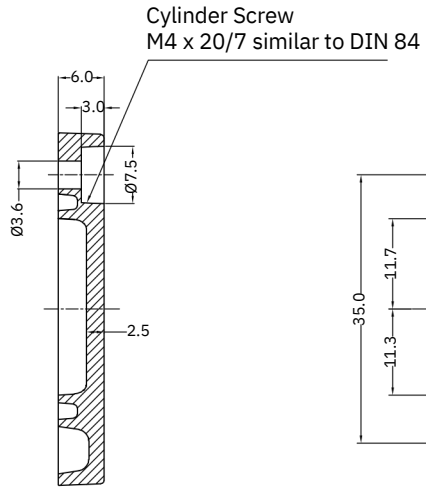
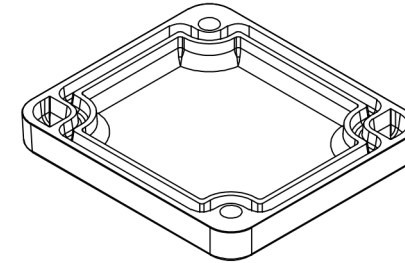
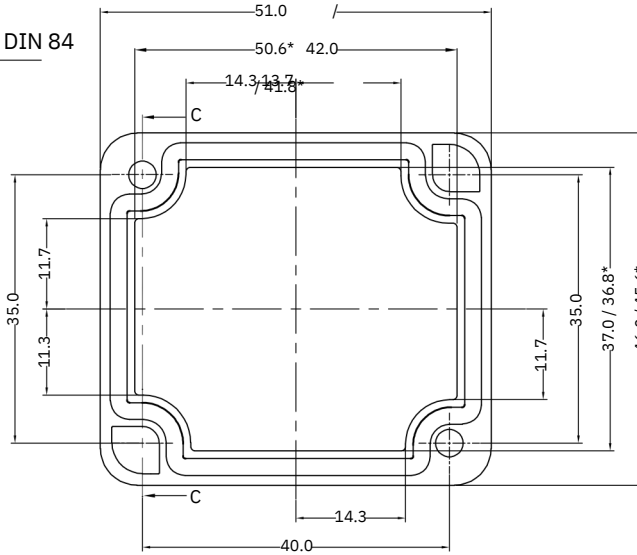


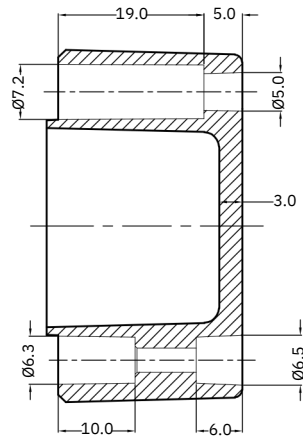
LID



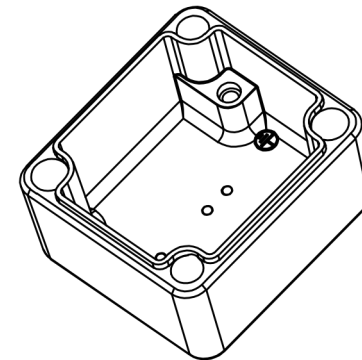
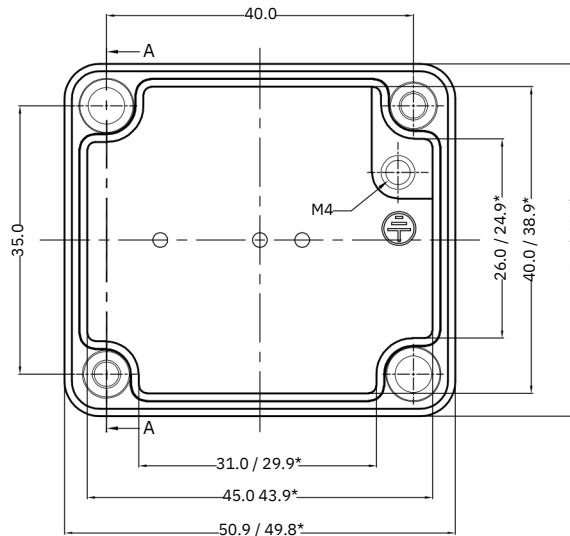
SECTION C-C



BASE



SECTION A-A



\*=Conical form tapering downwards  
Free dimensions-tolerance to GTA 13/5DIN 1688

Material:- A ISi12	TITLE :- GBA Aluminiumgehäuse ALUMINIUM ENCLOSURE 50 X 45 X 30	<small>This drawing and any information or descriptive material set out on it are the Confidential Property of Company Name and MUST NOT BE DISCLOSED, COPIED in whole or part or used for any purposes without the written permission of Company Name.</small>	
Finish:- Natural/ RAL 7001 Grey			
General Tolerances DIN ISO - Linear Tol.: ±0.5 , Angular Tol.: Surface Finish: All Dimensions: mm	 Moltkestraße 55-57 32257 Bünde Tel.: +49 (0) 5223 / 819 60 -55 Fax: +49 (0) 5223 / 819 60 -56	DATE	
 FIRST ANGLE PROJECTION DO NOT SCALE		CODE:	DRAWN BY: HK CHECKED BY: DN
	DRG. NO. GBA000504530	REV 00	
Description		Rev.	Date
SHEET 1 OF 1			