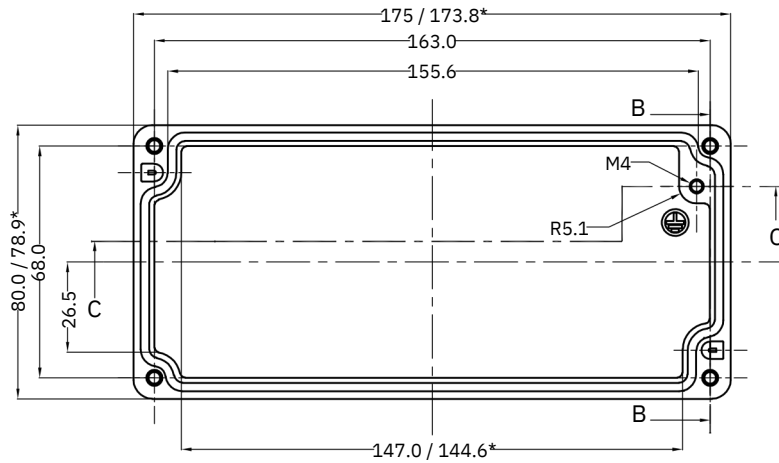
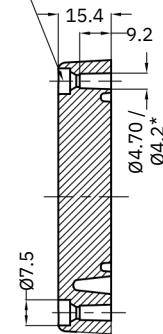


SECTION C-C

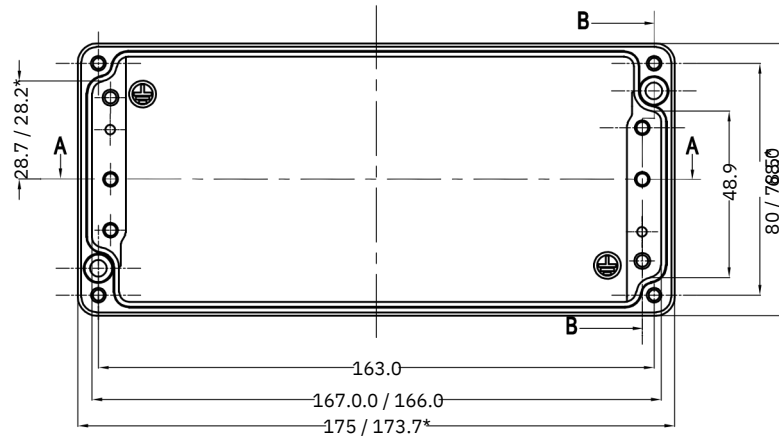
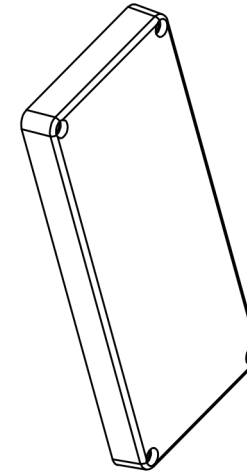


LID

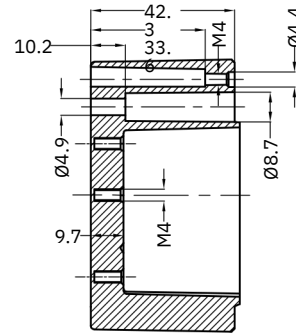
Cylinder Screw
M4 x 20/7 similar to DIN 84



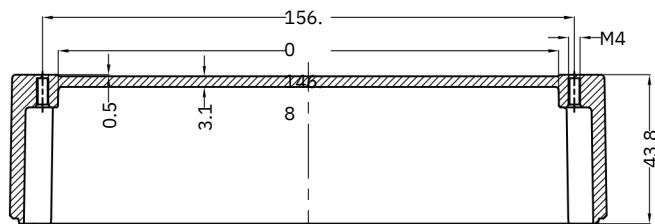
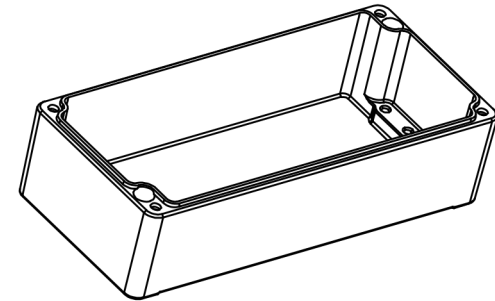
SECTION B-B



BASE



SECTION B-B



SECTION A-A

*=Conical form tapering downwards
Free dimensions-tolerance to GTA 13/5DIN 1688

Material:- A ISi12	TITLE :- GBA Aluminiumgehäuse ALUMINIUM ENCLOSURE 175 X 80 X 57	This drawing and any information or descriptive material set out on it are the Confidential Property of Company Name and MUST NOT BE DISCLOSED, COPIED in whole or part or used for any purpose without the written permission of Company Name.		
Finish:- Natural/ RAL 7001 Grey		DRAWN BY: HK	DATE 2 2/ 4/ 22	
General Tolerances DIN ISO - Linear Tol.: , Angular Tol.: Surface Finish: All Dimensions: mm	 Moltkestraße 55-57 32257 Bünde Tel: +49 (0) 5223 / 819 60 -55 Fax: +49 (0) 5223 / 819 60 -56	CHECKED BY: DN	DATE 2 2/ 4/ 22	
 FIRST ANGLE PROJECTION DO NOT SCALE		CODE: DRG. NO. GBA001758057	REV 00	
Description		Rev.	Date	SHEET 1 OF 1