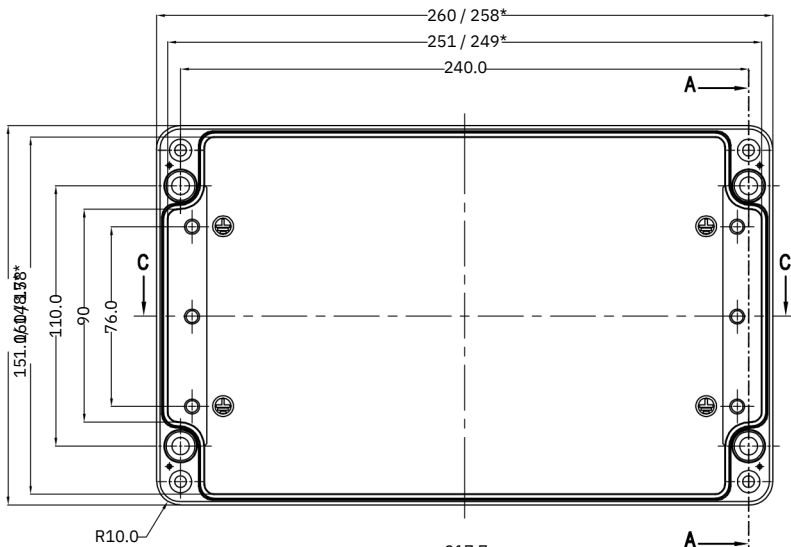
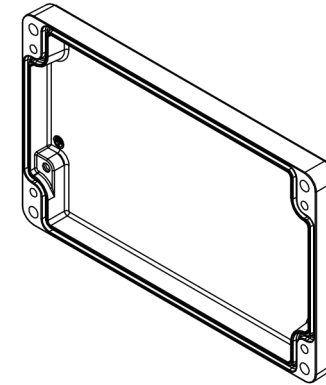
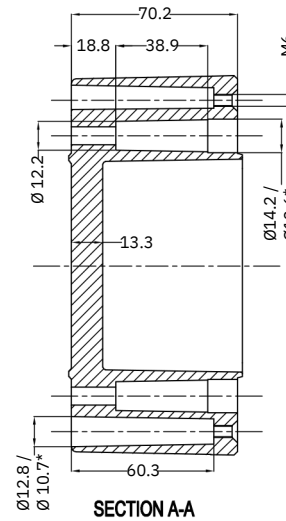


LID

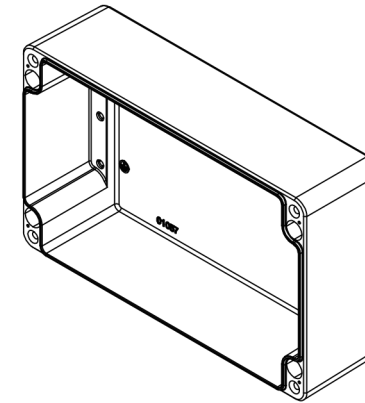
SECTION B-B



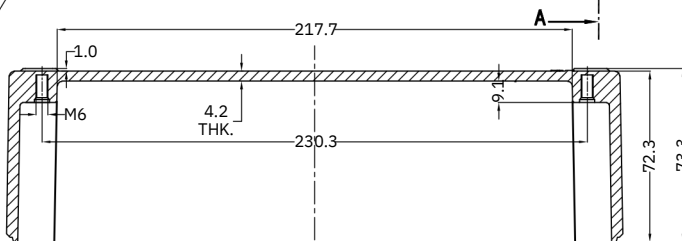
BASE



SECTION A-A



*=Conical form tapering downwards
Free dimensions-tolerance to GTA 13/5DIN 1688



SECTION C-C

Material:-	A ISi12	TITLE :- GBA Aluminiumgehäuse ALUMINIUM ENCLOSURE 260 x 160 x 90	<small>This drawing and any information or descriptive material set out on it are the Confidential Property of Company Name and MUST NOT BE DISCLOSED, COPIED in whole or part or used for any purpose without the written permission of Company Name.</small>
Finish:-	Natural/ RAL 7001 Grey		
General Tolerances DIN ISO - Linear Tol.: , Angular Tol.: Surface Finish: All Dimensions: mm			
 FIRST ANGLE PROJECTION DO NOT SCALE	Moltkestraße 55-57 32257 Bünde Tel: +49 (0) 5223 / 819 60 -55 Fax: +49 (0) 5223 / 819 60 -56	CODE: DRG. NO. GBA026016090	DATE DRAWN BY: HK 2 2 / 4 / 22 CHECKED BY: DN 2 2 / 4 / 22
			REV 00

Description	Rev.	Date