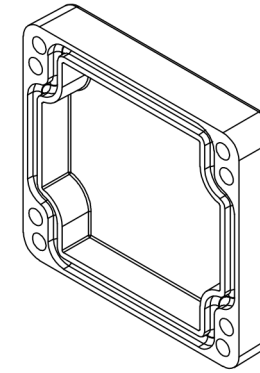
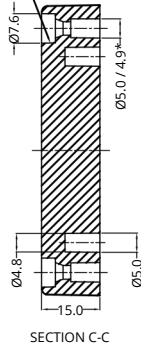
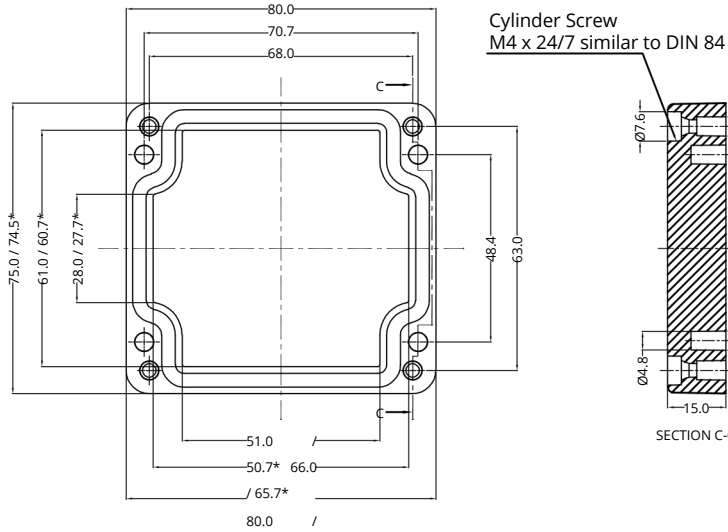
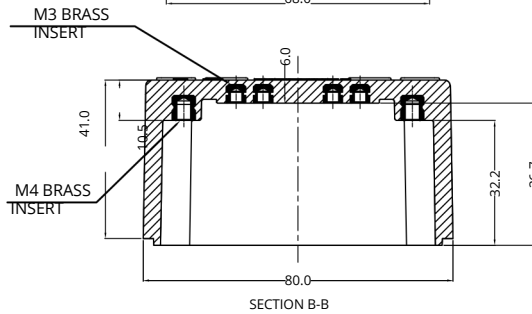
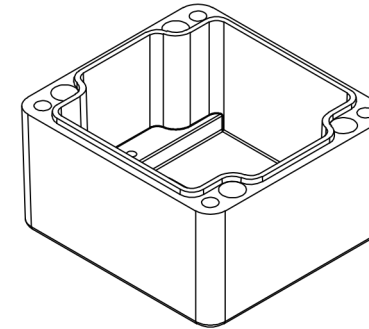
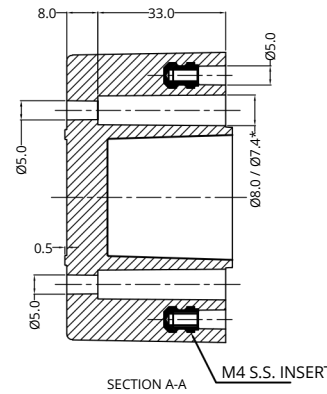
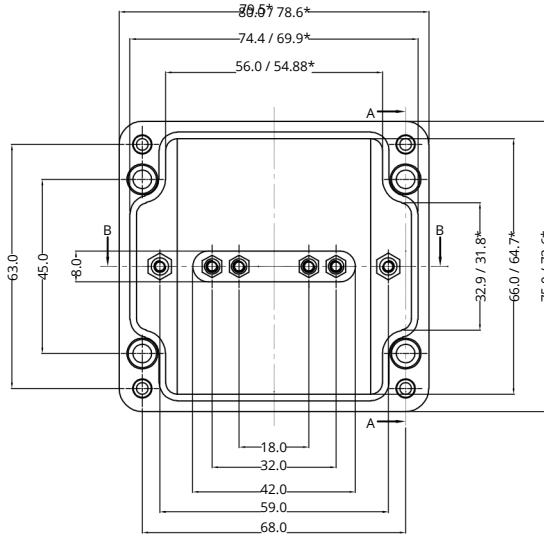


LID



BASE



*=Conical form tapering downwards
Free dimensions-tolerance to DIN 16901-140

Material:- Glass fiber Reinforced Polyester (GRP)

Finish:- RAL9011 (black)

General Tolerances
DIN ISO -
Linear Tol.: Angular Tol.:
Surface Finish:
All Dimensions: mm

TITLE :-

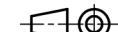
GBPEX Polyestergewäuse
ATEX GRP ENCLOSURE
80 X 75 X 55

This drawing and any information or descriptive material set out on it are the confidential property of Company Name and MUST NOT BE DISCLOSED, COPIED in whole or part or used for any purpose without the written permission of Company Name.

DRAWN BY:	HK	DATE	2 2 / 4 / 22
CHECKED BY:	DN	DATE	2 2 / 4 / 22



CODE:	DRG. NO.	REV
	GBPEX000807555	00
SHEET 1 OF 1		



FIRST ANGLE PROJECTION
DO NOT SCALE

Moltkestraße 55-57
32257 Bünde
Tel: +49 (0) 5223 / 819 60 -55
Fax: +49 (0) 5223 / 819 60 -56

Description	Rev.	Date