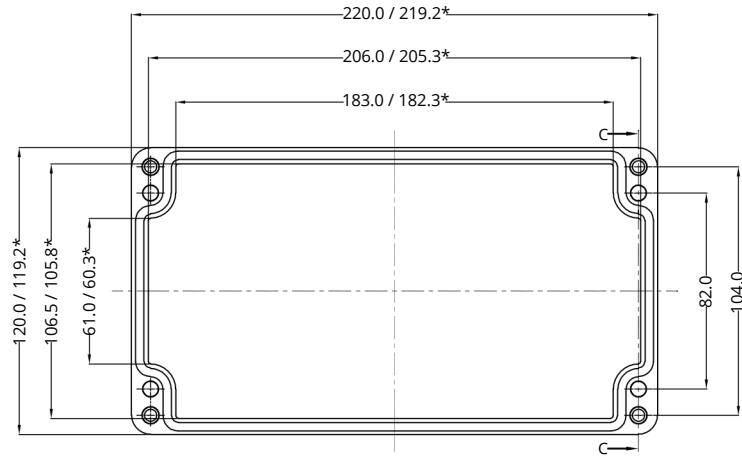
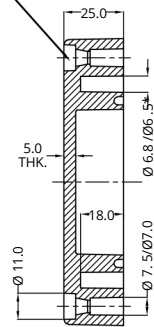


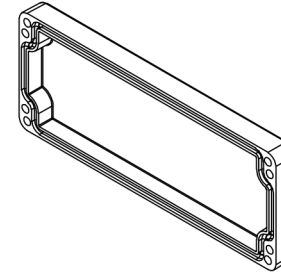
LID



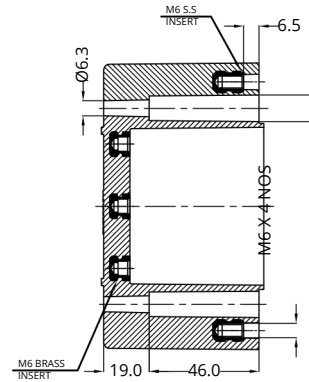
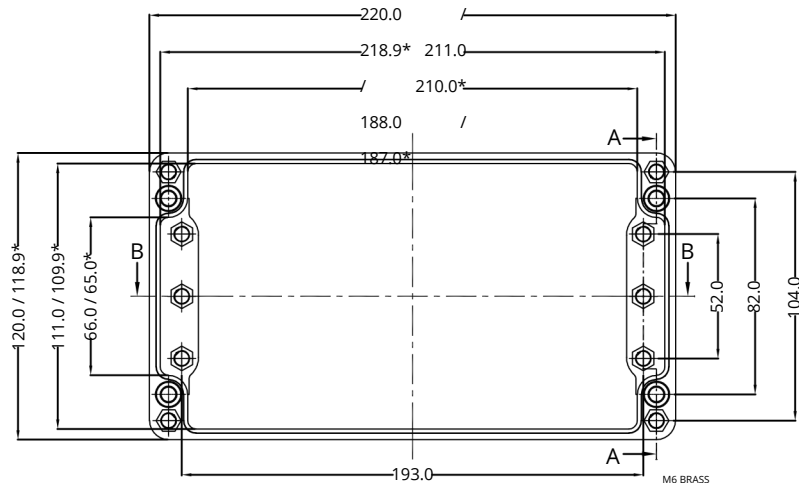
Cylinder Screw  
M6 x 35/10 similar to DIN 84



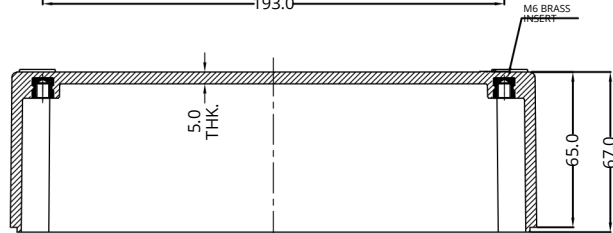
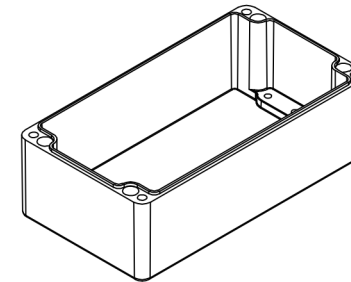
SECTION C-C



BASE



SECTION A-A



SECTION B-B

\*=Conical form tapering downwards  
Free dimensions-tolerance to DIN 16901-140

Material:- Glass fiber Reinforced Polyester (GRP)

Finish:- RAL9011 (black)

General Tolerances  
DIN ISO -  
Linear Tol.: Angular Tol.:  
Surface Finish:  
All Dimensions: mm

TITLE :-

GBPEX Polyestergehäuse  
ATEX GRP ENCLOSURE  
220 x 120 x 90

This drawing and any information or descriptive material set out on it are the Confidential property of Company Name and MUST NOT BE DISCLOSED, COPIED in whole or part or used for any purpose without the written permission of Company Name.

DRAWN BY:	HK	DATE	2 2 / 4 / 22
CHECKED BY:	DN	DATE	2 2 / 4 / 22



CODE:

DRG. NO.

GBPEX022012090

REV  
00

SHEET 1 OF 1



FIRST ANGLE PROJECTION

DO NOT SCALE

Moltkestraße 55-57  
32257 Bünde  
Tel: +49 (0) 5223 / 819 60 -55  
Fax: +49 (0) 5223 / 819 60 -56

Description	Rev.	Date